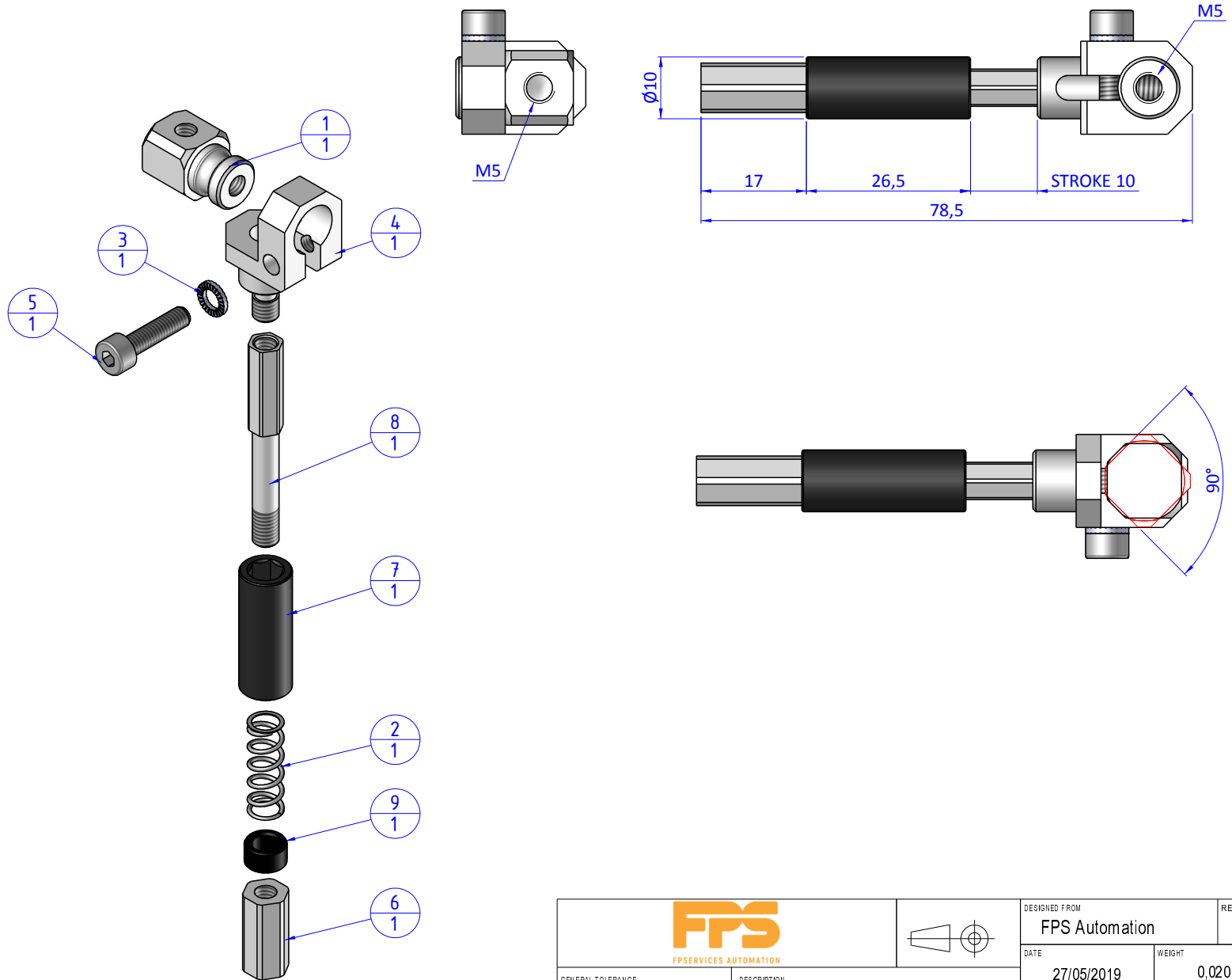



THE PROPERTY OF THE DRAWING IS ESTABLISHED BY LAW. IT IS FORBIDDEN TO PRODUCE OR SHOW IT TO THIRD PARTY, WITHOUT A WRITTEN AGREEMENT.

Item	Name	Qty.
1	GGB.10.5.5	1
2	M.5.9X20B	1
3	R.4.SCH	1
4	SSN.10100505.1	1
5	VTCE4x16	1
6	VSN.10.1	1
7	VSN.1010.2.1	1
8	VSN.1010.4	1
9	VSN.1025.3	1



Format A3

UNI 936-76

 FPS FPSERVICES AUTOMATION		DESIGNED FROM		REVIEW
		FPS Automation		A
GENERAL TOLERANCE		DATE	WEIGHT	
UNI - ISO 2768		27/05/2019	0,020kg	
CLASSE f		CODE		
		CA.SSN.10100505		CA.SSN.10100505